

Installation Instructions

Keyboard Tray for Prep and Pack Workstations

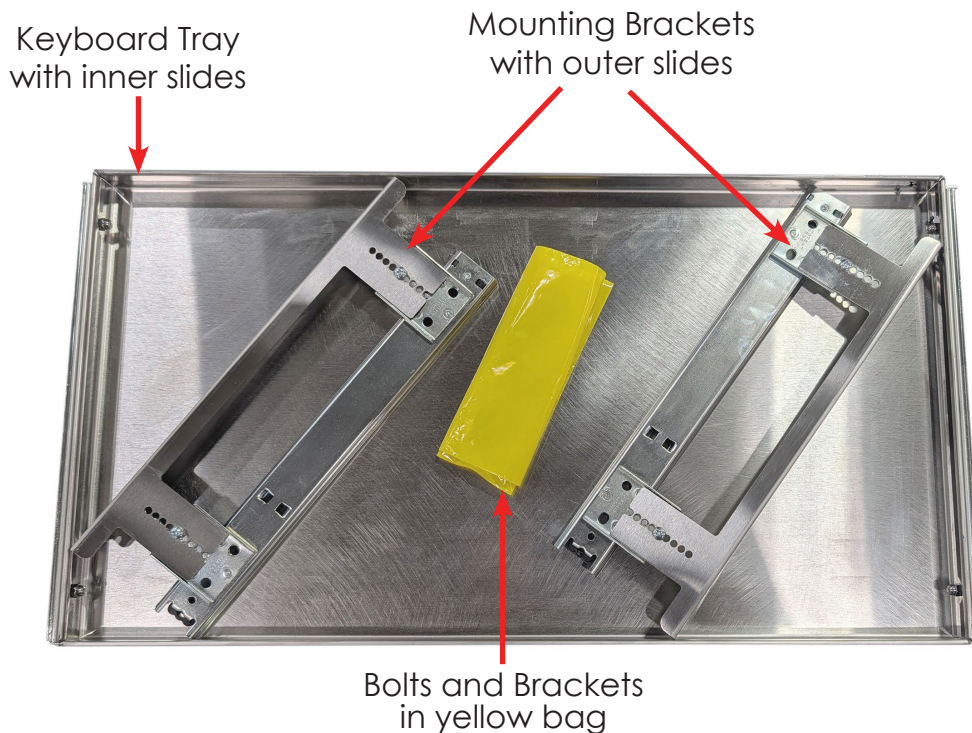
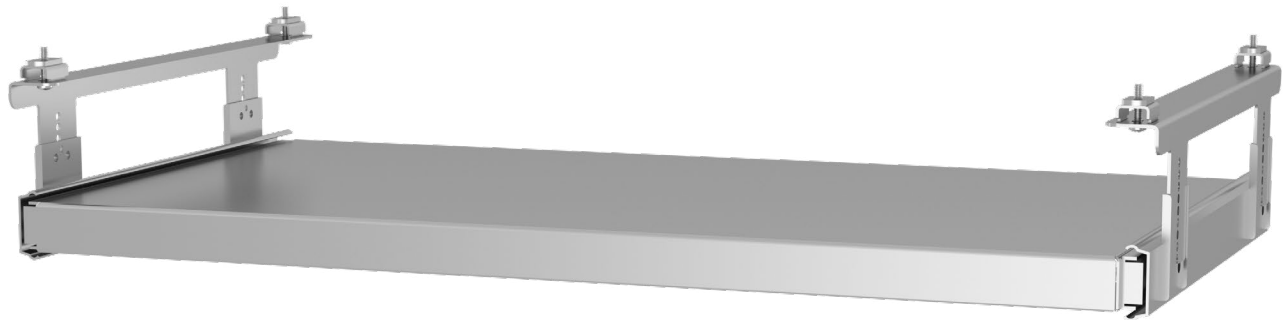
Installing a keyboard tray assembly to a Prep and Pack Workstation

Tools Needed:

- #2 phillips head screw driver

Keyboard Tray Assembly Kit:

- 1 Keyboard Tray with inner slides
- 2 Mounting Brackets with outer slides
- 4 Bolts
- 4 Mounting Brackets



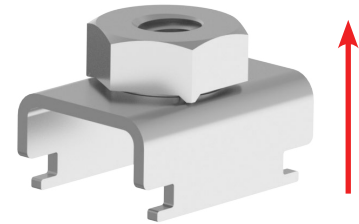
Installation Instructions

Keyboard Tray for Prep and Pack Workstations

Step 1- Insert bracket with nut into slots (shown with red circles) under the prep and pack workstation in the direction shown.



View from underneath



Bracket with Nut

Step 2- Slide the brackets to the approximate position needed to mount the keyboard tray (shown with red circles).



View from underneath

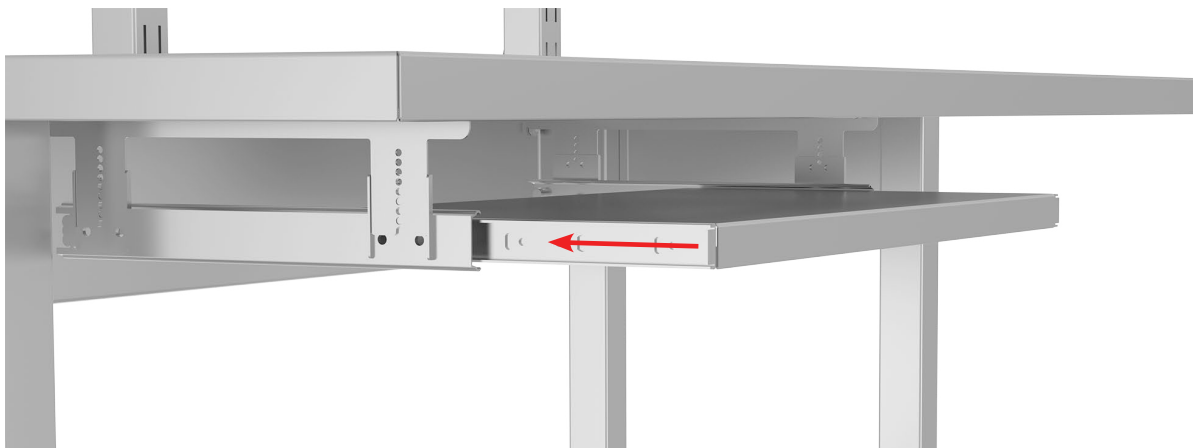
Installation Instructions

Keyboard Tray for Prep and Pack Workstations

Step 3- Doing one side at a time, line up and install bolts through the nut welded to the bracket. Hand tighten loosely to keep in place.



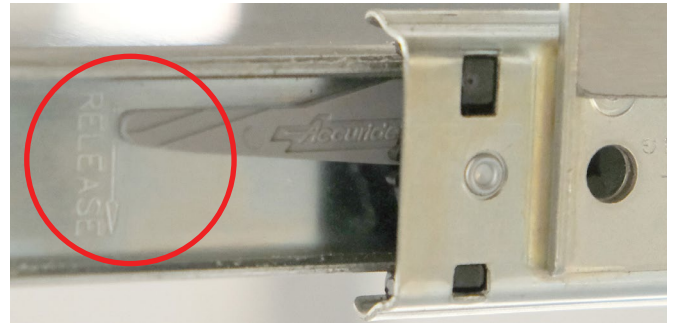
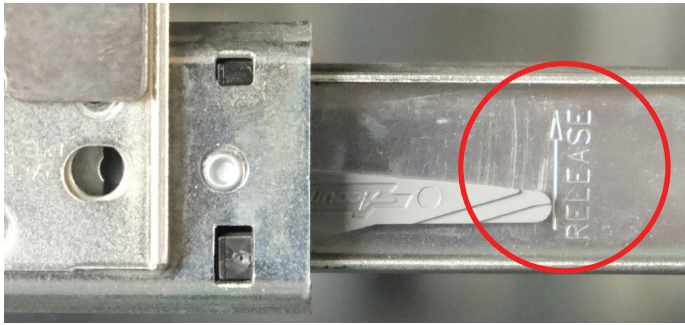
Step 4- Line up slides on keyboard tray with slides on bracket (move brackets side to side as needed to line up) and push keyboard tray in. Now, firmly hand tighten the bolts. Your brackets are now in the correct position.



Installation Instructions

Keyboard Tray for Prep and Pack Workstations

Step 5- Remove the keyboard tray from the brackets by pressing firmly on the left slide tab and the right slide tab at the same time (there is an arrow stamped on each slide, either up or down - see red circle) while pulling drawer out.



Step 6- Tighten the bolts with the screwdriver. Slide keyboard tray back into place.



You have finished the installation of your keyboard tray.