

TABLE WITH UNDER SHELF

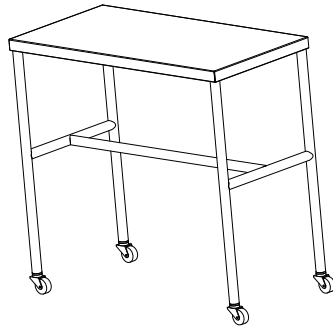


TABLE WITH "H" BRACE

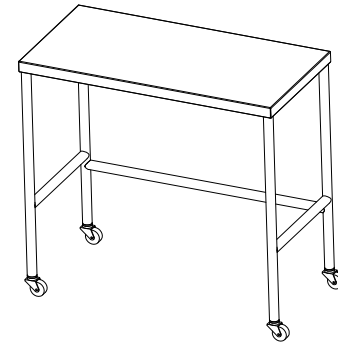
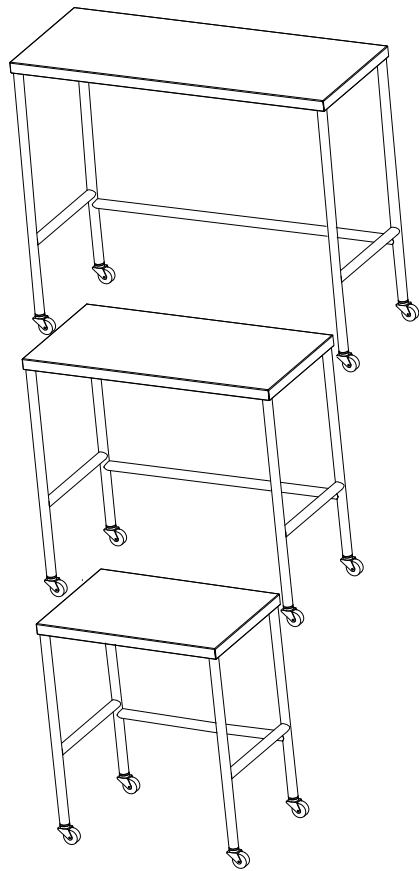


TABLE WITH "U" BRACE

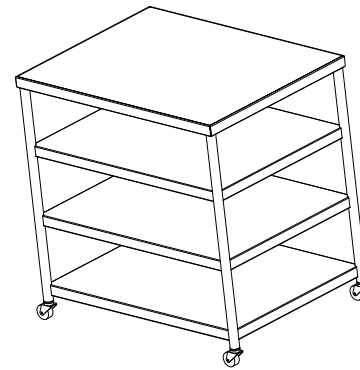
STERILE PROCESS / WORK TABLES



820 South Mulberry
Millstadt, IL 62260
877-828-9975



NESTING TABLES

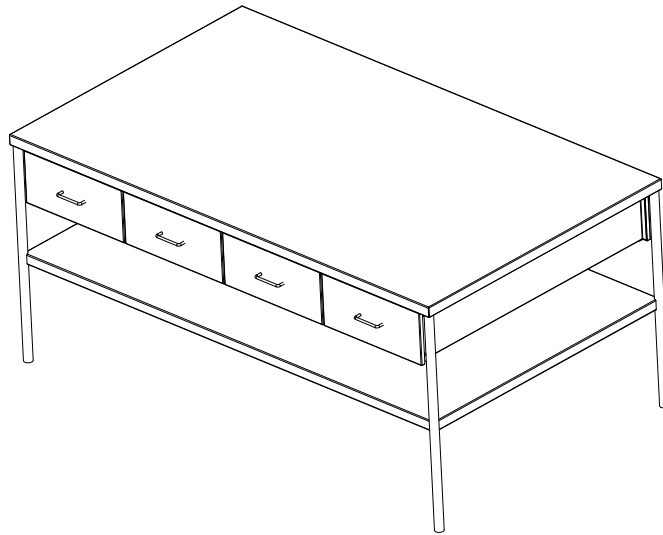


MULTIPLE UNDER SHELVES

STERILE PROCESS / WORK TABLES



820 South Mulberry
Millstadt, IL 62260
877-828-9975

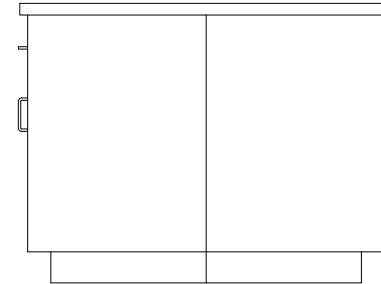
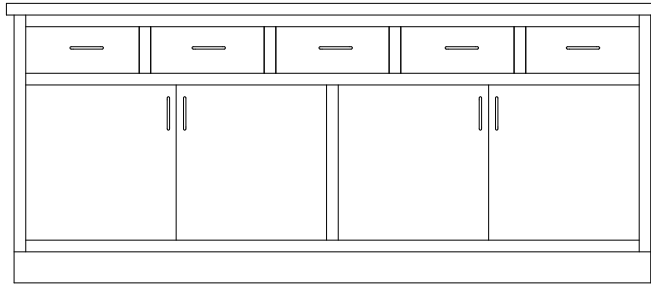


WORK TABLE WITH DRAWERS
AND UNDER SHELF

STERILE PROCESS / WORK TABLES



820 South Mulberry
Millstadt, IL 62260
877-828-9975



WORK TABLE WITH DRAWERS
AND DOORS ON BOTH SIDES

STERILE PROCESS / WORK TABLES



820 South Mulberry
Millstadt, IL 62260
877-828-9975