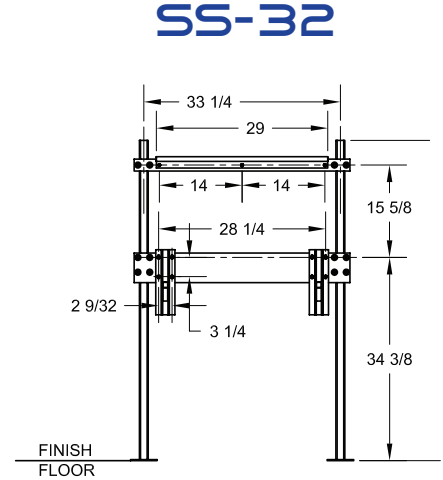
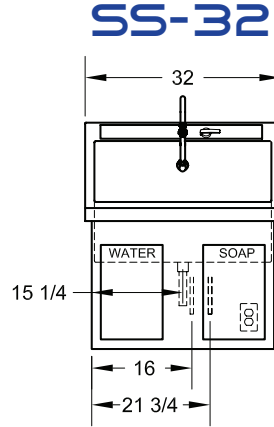
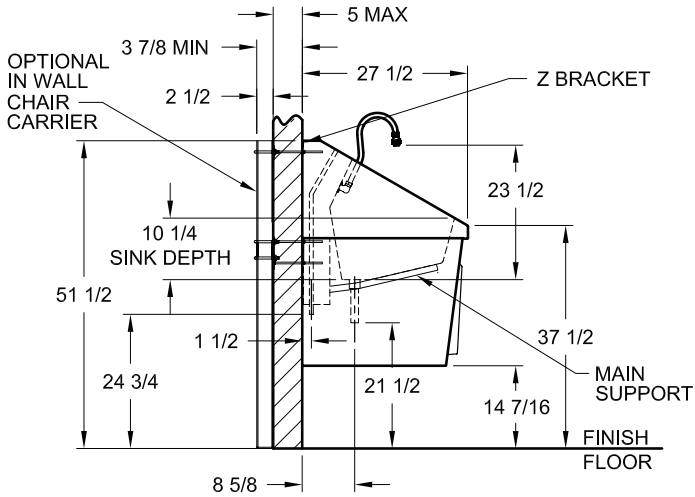


SURGICAL SCRUB SINKS

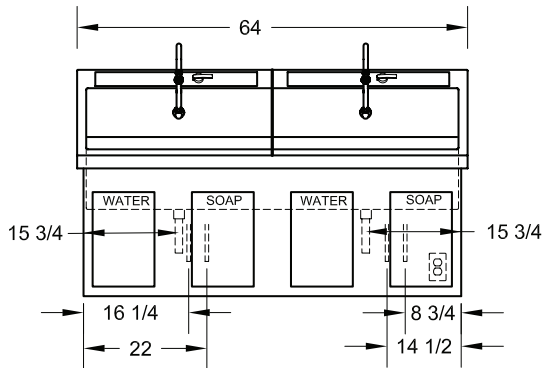
SS SERIES SPECS & DIMENSIONS



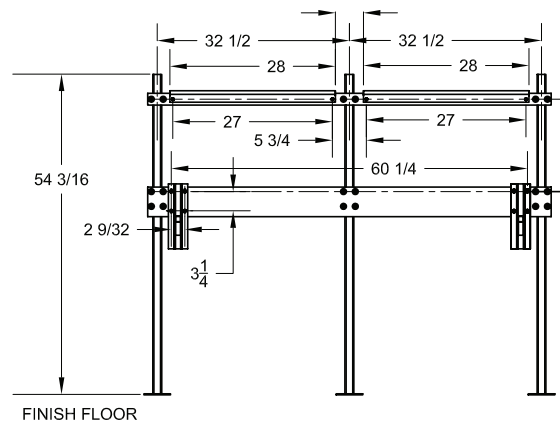
1/2" WATER SUPPLY LINE DETAIL
USED ON ALL SS SERIES SINKS



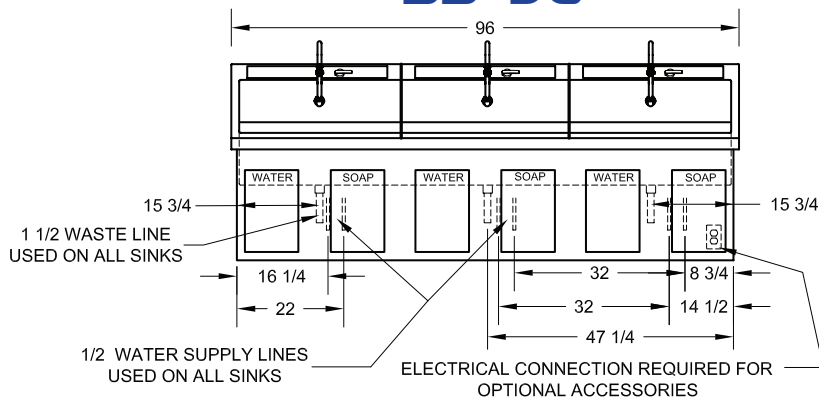
SS-64



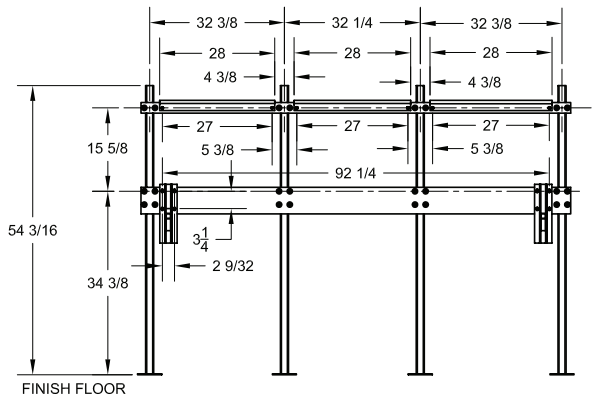
SS-64



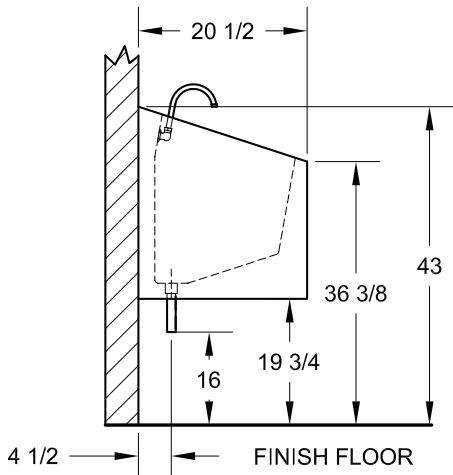
SS-96



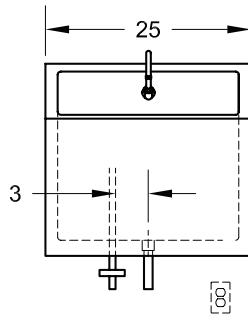
SS-96



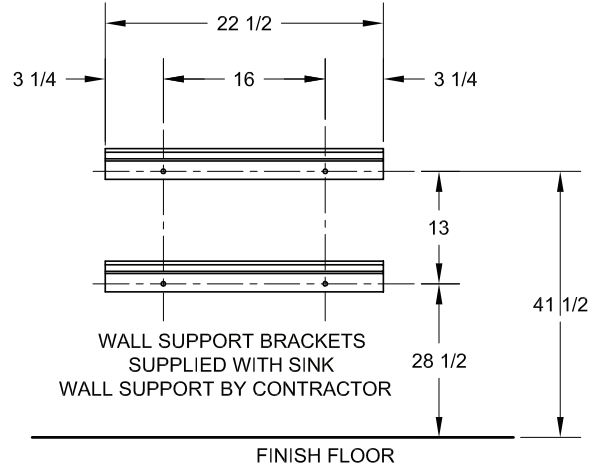
ES SERIES SURGICAL SCRUB SINKS SPECS:



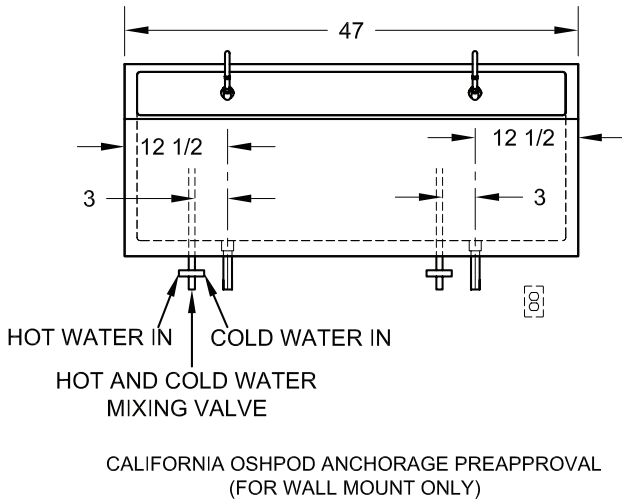
ES-25



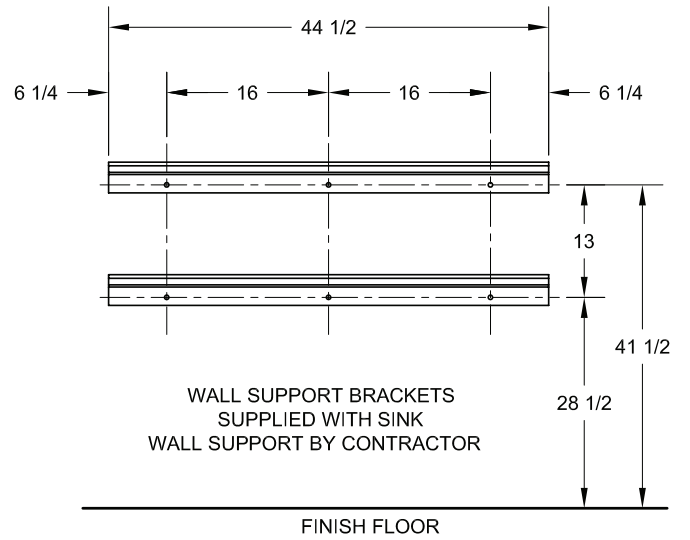
ES-25



ES-47



ES-47



CALIFORNIA OSHPOD ANCHORAGE PREAPPROVAL
(FOR WALL MOUNT ONLY)