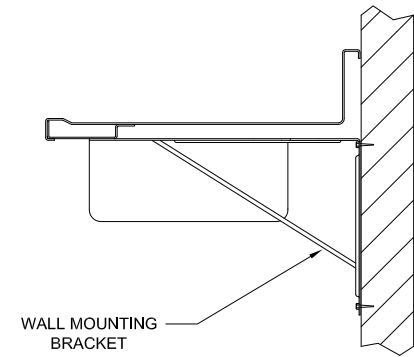
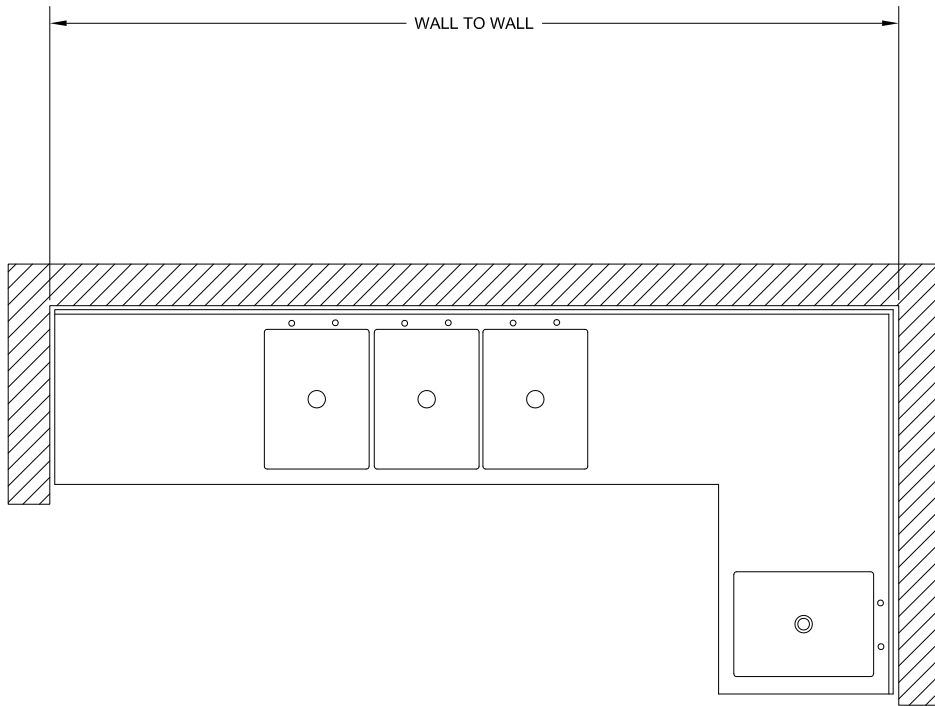


SINK ON CABINET BASE WITH DRAWERS AND DOORS

STERILE PROCESS SINKS



820 South Mulberry
Millstadt, IL 62260
877-828-9975

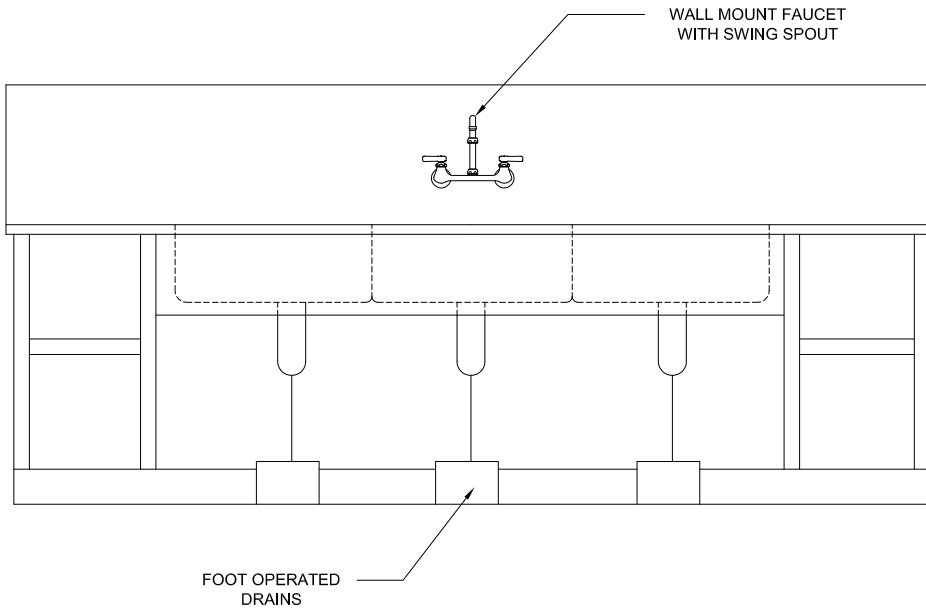
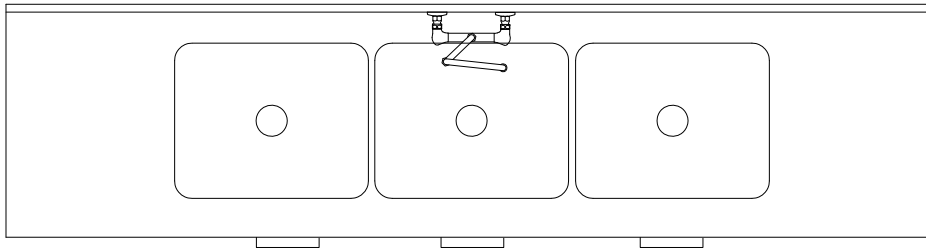


COUNTER TOP WITH BUILT IN SINK WALL MOUNTED

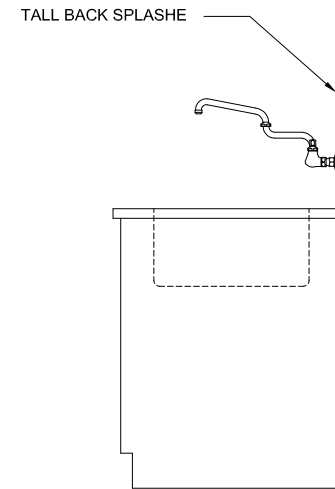
STERILE PROCESS SINKS



820 South Mulberry
Millstadt, IL 62260
877-828-9975



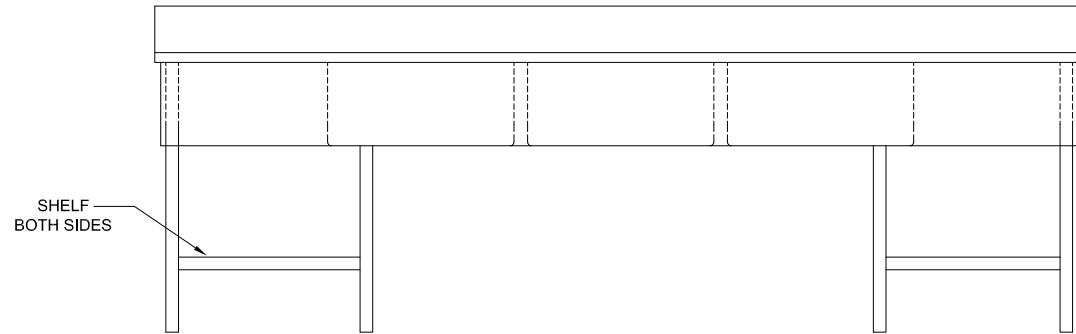
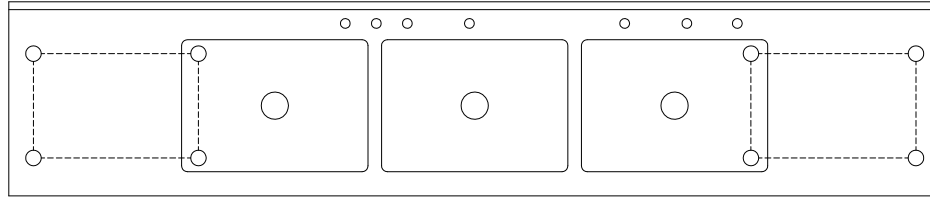
SINK ON CABINET BASE WITH FOOT OPERATED DRAINS



STERILE PROCESS SINKS



820 South Mulberry
Millstadt, IL 62260
877-828-9975

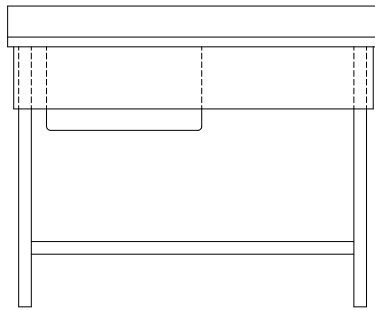
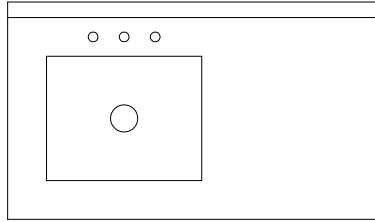


SINK ON PIPE BASE

STERILE PROCESS SINKS



820 South Mulberry
Millstadt, IL 62260
877-828-9975



SINK ON PIPE BASE

STERILE PROCESS SINKS



820 South Mulberry
Millstadt, IL 62260
877-828-9975