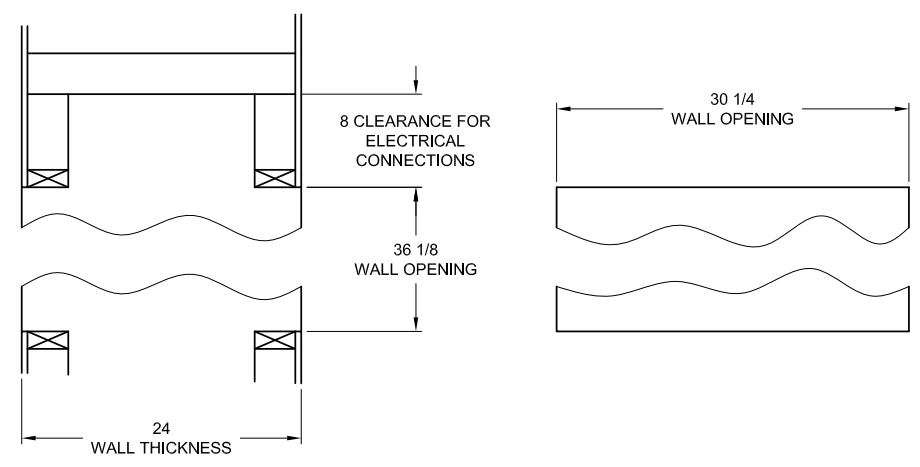
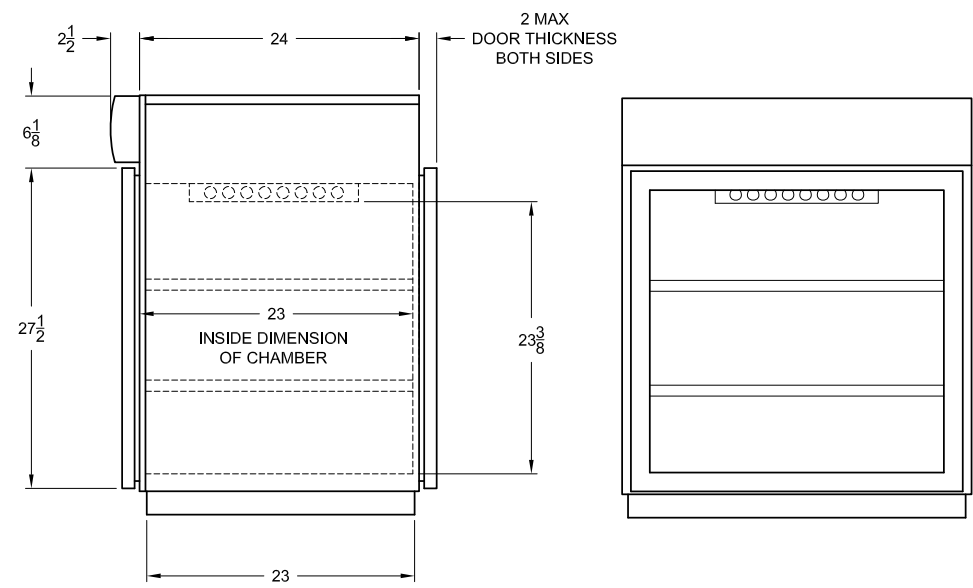
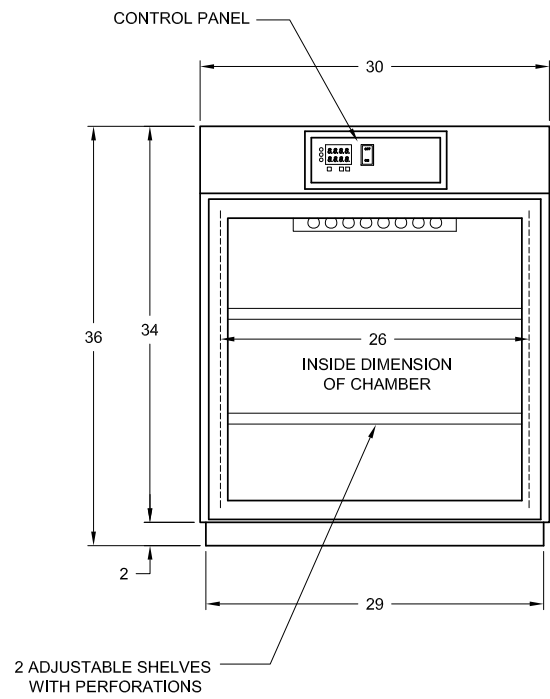


SINGLE CHAMBER WARMING CABINET
SWC36



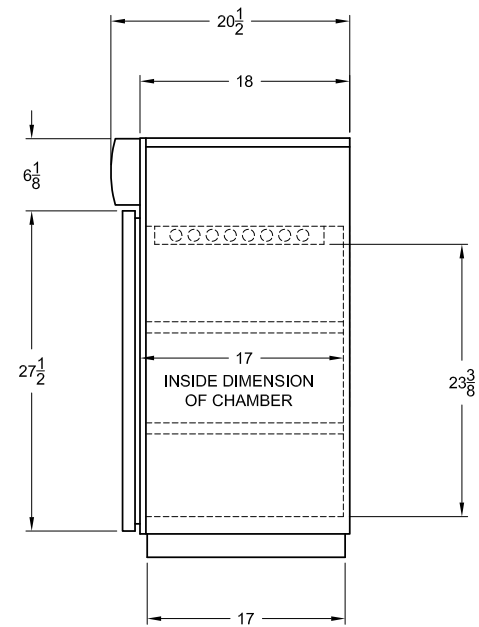
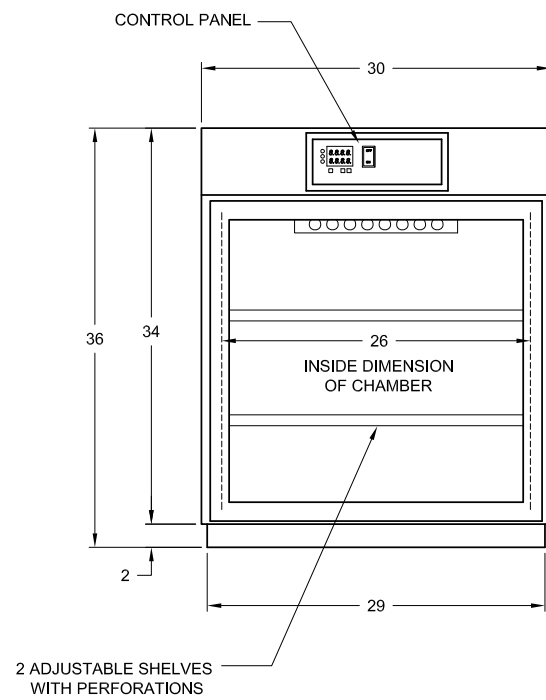
820 South Mulberry
Millstadt, IL 62260
877-828-9975



SINGLE CHAMBER PASS THRU
WARMING CABINET
SWC36-PT

mac
MEDICAL

820 South Mulberry
Millstadt, IL 62260
877-828-9975



SINGLE CHAMBER WARMING CABINET
SWC36-18



820 South Mulberry
Millstadt, IL 62260
877-828-9975